



Your Last Stop for CCTV Solution

small vandal resistant camera

SVD93 / SVR93 - Standard Resolution 420 TVL

SVD93H / SVR93H - High Resolution 600 TVL

- Stylish Design & Easy Installation
- Excellent Image Quality
- Vandal Resistant Aluminum Casing
- Grey color Epoxy Powder Coating
- Indoor Dustproof, No Need Additional Housing
- 1/3" Sony Super HAD CCD
- High Resolution : 420 / 600 TV lines
- 2D-DNR
- High Sensitivity of 0.05Lux @ F1.2
- Standard 3.8mm Lens
- Optional 2.9 / 6 / 8 / 12mm Lens
- Wide voltage range : 6-18VDC
- Low Power Consumption : 65mA @ 12VDC
- Reverse Polarity Protection



SVD - Surface Mount



SVR - Recessed Ceiling Mount

Applications



Building



Bank



Small Office

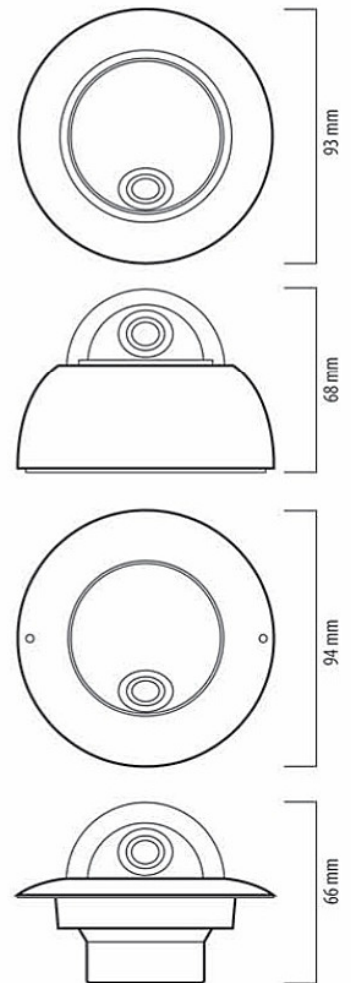


Retail

SVD93/SVR93, SVD93H/SVR93H

Standard Resolution 420TVL & Hi-Resolution 600TVL

SMALL VANDAL RESISTANT CAMERA



Specification

Image Sensor	1/3" Interline Transferred Sony Super HAD CCD
Signal System	PAL / NTSC
Synchronization	Internal
Lens	Standard 3.8mm Lens, Optional 2.9 / 6 / 8 / 12mm
Minimum Illumination	0.05 Lux @ F1.2
S/N Ratio	More than 48 dB
Electronic Iris	PAL : 1/150 - 1/100,100s, NTSC : 1/60 - 1/100,000s
Day & Night Function	Colour Kill (Option)
Video Output	BNC, 1 Vp-p Video Composite
Power Consumption	6-8 VDC, 65mA Max.
Operating Temperature	0° to 55° C
Physical	74 Ø mm x 72 mm, Approx : 0.15 kg

SVD/SVR93

Effective Pixels (H x V)	PAL	500 x 582
	NTSC	510 x 494
Horizontal Resolution	420 TV Lines	

SVD/SVR93H

Effective Pixels (H x V)	PAL	752 x 582
	NTSC	768 x 494
Horizontal Resolution	600 TV Lines	

2D-DNR (Digital Noise Reduction) ensures noise reduction in various conditions.



DNR On



DNR Off

Actual scene with camera mounted 3m height, 6mm Lens



600 TVL Scene



420 TVL Screen



Your Last Stop for CCTV Solutions



CYNICS and CYNiCS logo are trademarks of CYNICS INTERNATIONAL SDN. BHD. MALAYSIA. All rights reserved.

Note: All specifications may change without prior notice