



Your Last Stop for CCTV Solution



# mini dome camera

**SD93 - Standard Resolution 420 TVL**

**SD93H - High Resolution 600 TVL**

- Excellent Image Quality
- Indoor Dustproof, No Need Additional Housing
- 1/3" Sony Super HAD CCD
- High Resolution : 420 / 600 TV lines
- High Sensitivity of 0.05 Lux @ F1.2
- Standard 3.8 mm Lens
- Optional 2.9 / 6 / 8 / 12 mm Lens
- Wide Voltage Range : 6 - 18 VDC
- Low Power Consumption : 65 mA @ 12 VDC
- Reverse Polarity Protection
- OSD Controller Board (Option)
- Full OSD Functions : Shuttle / BLC / AGC / AWB / Sharpness / Contrast / Camera ID / Mirror / Day & Night / Privacy Mask / Gamma / Language / White Peak Masking / Super Wide Dynamic and etc.

## Applications



Office



Living Hall



Restaurant



Showroom

# SD93, SD93H

Standard Resolution 420TVL & Hi-Resolution 600TVL

MINI DOME CAMERA



## Specification

Image Sensor	1/3" Interline Transferred Sony Super HAD CCD
Signal System	PAL / NTSC
Synchronization	Internal
Lens	Standard 3.8mm Lens. Optional 2.9 / 6 / 8 / 12mm
Minimum Illumination	0.05 Lux
S/N Ratio	More than 48 dB
Electronic Iris	PAL : 1/150 - 1/100, 100s, NTSC : 1/60 - 1/100,000s
Day & Night Function	Colour Kill (Option)
Video Output	BNC, 1 Vp-p Video Composite
Power Consumption	6 - 18 VDC, 75 mA Max.
Operating Temperature	0° to 55° C
Physical	106 mm x 72 mm, Approx : 0.15 kg

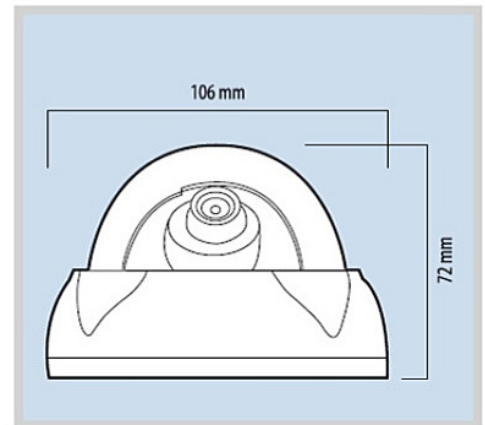
### SD93

Effective Pixels (H x V)	PAL	500 x 582
	NTSC	510 x 494
Horizontal Resolution	420 TV Lines	

### SD93H

Effective Pixels (H x V)	PAL	752 x 582
	NTSC	768 x 494
Horizontal Resolution	600 TV Lines	

Note: All specifications may change without prior notice



### Dynamic Range Compensation (option)

DRC On



DRC Off



### Highlight Masking Exposure (option)

HME On



HME Off



Your Last Stop for CCTV Solution



CYNICS and CYNICS logo are trademarks of CYNICS INTERNATIONAL SDN. BHD. MALAYSIA. All rights reserved.